

70x70x25mm (2.75"x2.75"x0.98")

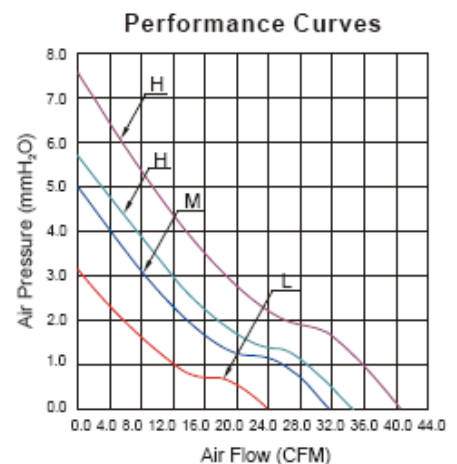
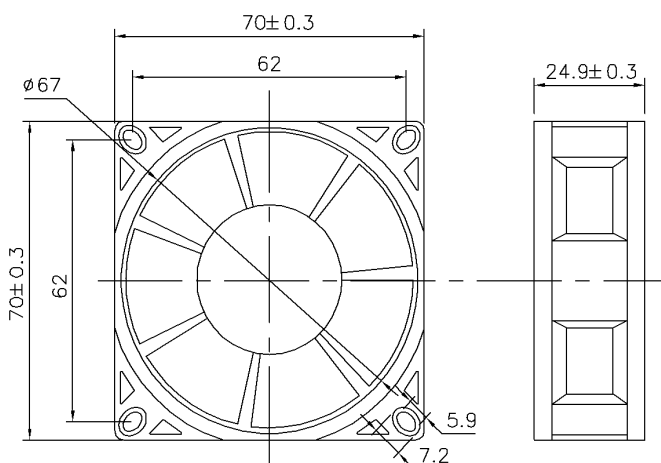


Frame:Plastic(UL:94-0)  
 Impeller:Plastic(UL:94-0)  
 Lead wire:UL 1007AWG24  
 Red wire positive (+)  
 Black Wire negative (-)  
 Operation Temperature:-10°C-70°C  
 Motor Protection: Impedance Protected  
 Reverse Polarity Protected  
 Safety approval: UL TUV CE

Specifications(Nominal)

S=Sleeve bearing B=One ball bearing D=Two ball bearing

Model No.	Bearing System Type	Rated Voltage	Speed Type	Rated Current	Rated Speed	Air Flow	Aire Pressure	Noise Level	Weight
		(VDC)		(A)	(RPM)	(CFM)	(mmAg)	(dBA)	(g)
HT□D07025	S/B/D	5	H	0.65	4800	37.50	5.98	37.0	58
			M	0.50	4200	35.50	5.78	35.0	
			L	0.35	3800	32.67	4.86	32.0	
		12	E	0.36	4800	37.50	5.98	37.0	
			H	0.27	4200	35.50	5.78	35.0	
			M	0.20	3800	32.67	4.86	32.0	
			L	0.15	3300	27.80	3.76	28.0	
		24	X	0.12	3000	26.70	3.52	27.0	
			H	0.16	4200	35.50	5.78	35.0	
		M	0.13	3800	32.67	4.86	32.0		



\* All reading are typical values at rated voltage.  
 \* Specifications subjected to change without notice