

50x50x15mm (1.97"x1.97"x0.59")

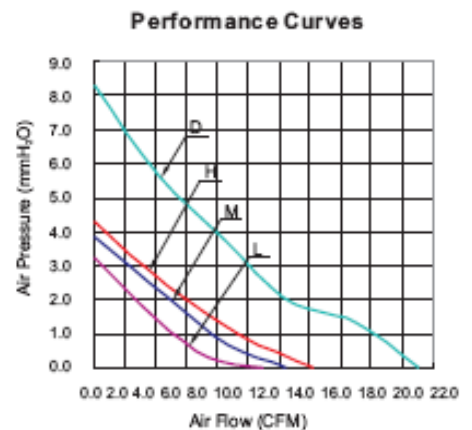
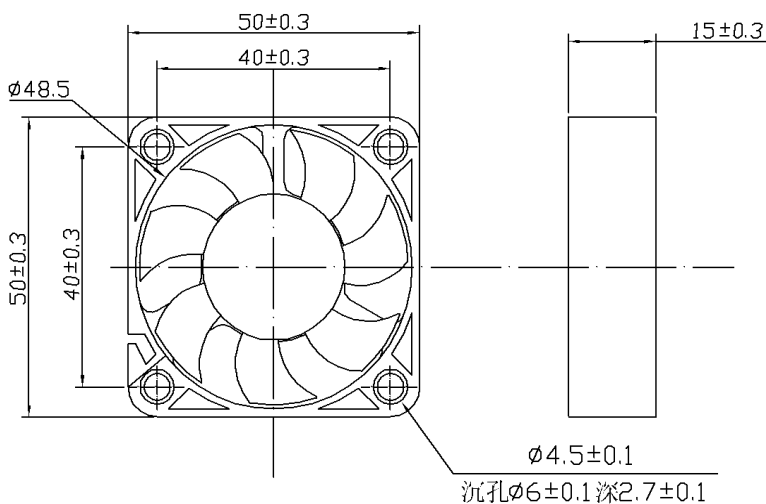


Frame:Plastic(UL:94-0)  
 Impeller:Plastic(UL:94-0)  
 Lead wire:UL 1007AWG24  
 Red wire positive (+)  
 Black Wire negative (-)  
 Operation Temperature:-10°C-70°C  
 Motor Protection: Impedance Protected  
 Reverse Polarity Protected  
 Safety approval: UL TUV CE

Specifications(Nominal)

S=Sleeve bearing B=One ball bearing D=Two ball bearing

| Model No. | Bearing System Type | Rated Voltage (VDC) | Speed Type | Rated Current (A) | Rated Speed (RPM) | Air Flow (CFM) | Aire Pressure (mmAg) | Noise Level (dBA) | Weight (g) |
|-----------|---------------------|---------------------|------------|-------------------|-------------------|----------------|----------------------|-------------------|------------|
| HT□D05015 | S/B/D               | 5                   | H          | 0.32              | 6000              | 18.02          | 4.98                 | 32.0              | 28         |
|           |                     |                     | M          | 0.25              | 5000              | 15.21          | 3.72                 | 29.0              |            |
|           |                     |                     | L          | 0.20              | 4500              | 11.68          | 2.36                 | 23.0              |            |
|           |                     | 12                  | E          | 0.22              | 6500              | 19.00          | 5.26                 | 33.0              |            |
|           |                     |                     | H          | 0.17              | 6000              | 18.02          | 4.98                 | 32.0              |            |
|           |                     |                     | M          | 0.13              | 5000              | 15.21          | 3.72                 | 29.0              |            |
|           |                     | 24                  | L          | 0.10              | 4200              | 11.68          | 2.36                 | 23.0              |            |
|           |                     |                     | H          | 0.12              | 6000              | 18.02          | 4.98                 | 32.0              |            |
|           |                     |                     | M          | 0.10              | 5000              | 15.21          | 3.72                 | 29.0              |            |
|           |                     |                     | L          | 0.08              | 4200              | 11.68          | 2.36                 | 23.0              |            |



\* All reading are typical values at rated voltage.  
 \* Specifications subjected to change without notice