

60x60x10mm (2.36"x2.36"x0.39")

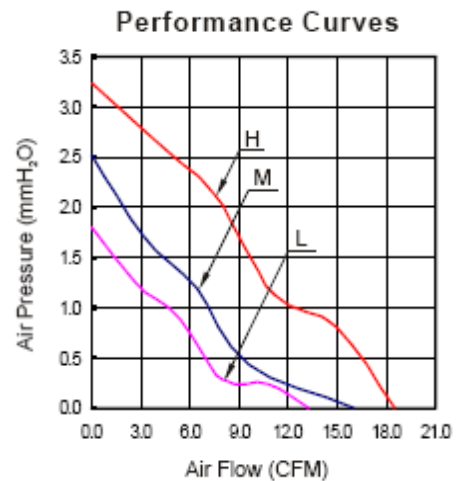
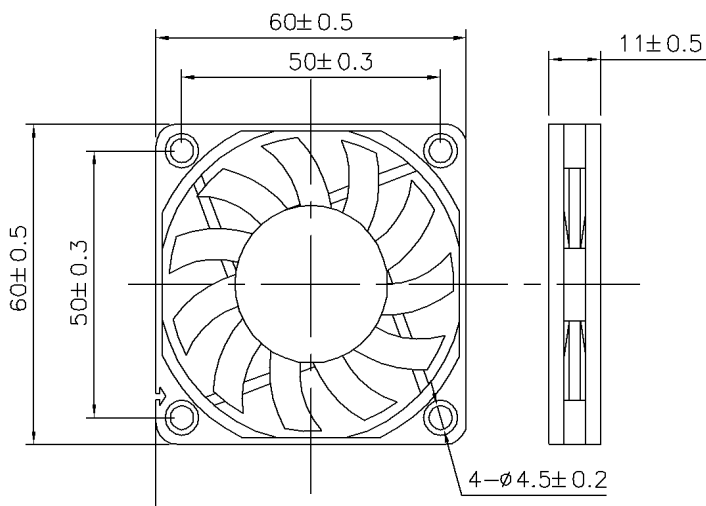


Frame:Plastic(UL:94-0)
 Impeller:Plastic(UL:94-0)
 Lead wire:UL 1007AWG24
 Red wire positive (+)
 Black Wire negative (-)
 Operation Temperature:-10°C-70°C
 Motor Protection: Impedance Protected
 Reverse Polarity Protected
 Safety approval: UL TUV CE

Specifications(Nominal)

S=Sleeve bearing B=One ball bearing D=Two ball bearing

Model No.	Bearing System Type	Rated Voltage (VDC)	Speed Type	Rated Current (A)	Rated Speed (RPM)	Air Flow (CFM)	Aire Pressure (mmAg)	Noise Level (dBA)	Weight (g)
HT□D06010	S/B/D	5	H	0.23	3800	15.28	2.16	30.0	30
			M	0.20	3500	14.13	1.82	26.0	
		12	E	0.18	4200	17.32	2.45	32.0	
			H	0.14	3800	15.28	2.16	30.0	
			M	0.13	3500	14.13	1.82	26.0	
		24	L	0.11	3000	12.26	1.22	22.0	
			H	0.11	3800	15.28	2.16	30.0	
			M	0.10	3500	14.13	1.82	26.0	
					L	0.08	3000	12.26	



* All reading are typical values at rated voltage.
 * Specifications subjected to change without notice