

60x60x20mm (2.36"x2.36"x0.78")

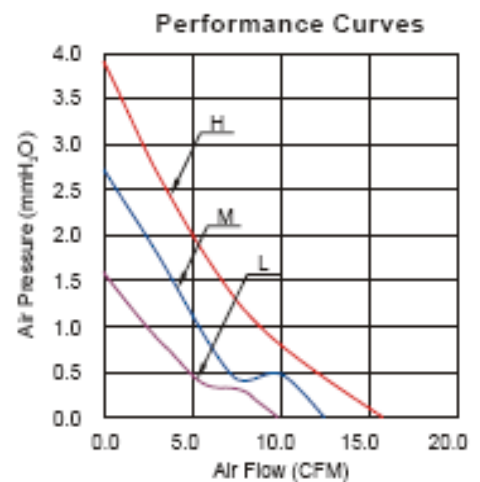
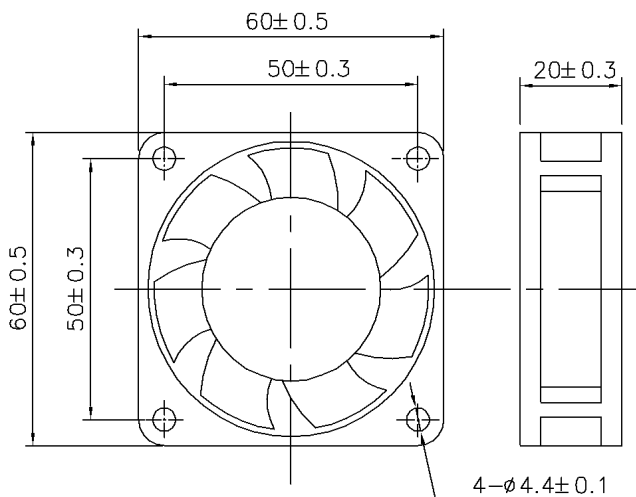


Frame:Plastic(UL:94-0)
 Impeller:Plastic(UL:94-0)
 Lead wire:UL 1007AWG24
 Red wire positive (+)
 Black Wire negative (-)
 Operation Temperature:-10°C-70°C
 Motor Protection: Impedance Protected
 Reverse Polarity Protected
 Safety approval: UL TUV CE

Specifications(Nominal)

S=Sleeve bearing B=One ball bearing D=Two ball bearing

Model No.	Bearing System Type	Rated Voltage	Speed Type	Rated Current	Rated Speed	Air Flow	Aire Pressure	Noise Level	Weight
		(VDC)		(A)	(RPM)	(CFM)	(mmAg)	(dBA)	
HT□D06020	S/B/D	5	H	0.30	4500	16.31	3.42	31.0	40
			M	0.24	4000	14.89	2.98	30.0	
			L	0.18	3800	13.50	2.28	22.0	
		12	H	0.25	6000	19.16	3.84	34.0	
			M	0.19	5200	17.31	3.64	33.0	
			L	0.12	3500	12.50	2.18	22.0	
		24	H	0.18	5500	18.16	3.64	33.0	
			M	0.12	4200	16.31	3.42	30.0	
			L	0.12	3500	12.50	2.18	22.0	



* All reading are typical values at rated voltage.
 * Specifications subjected to change without notice